

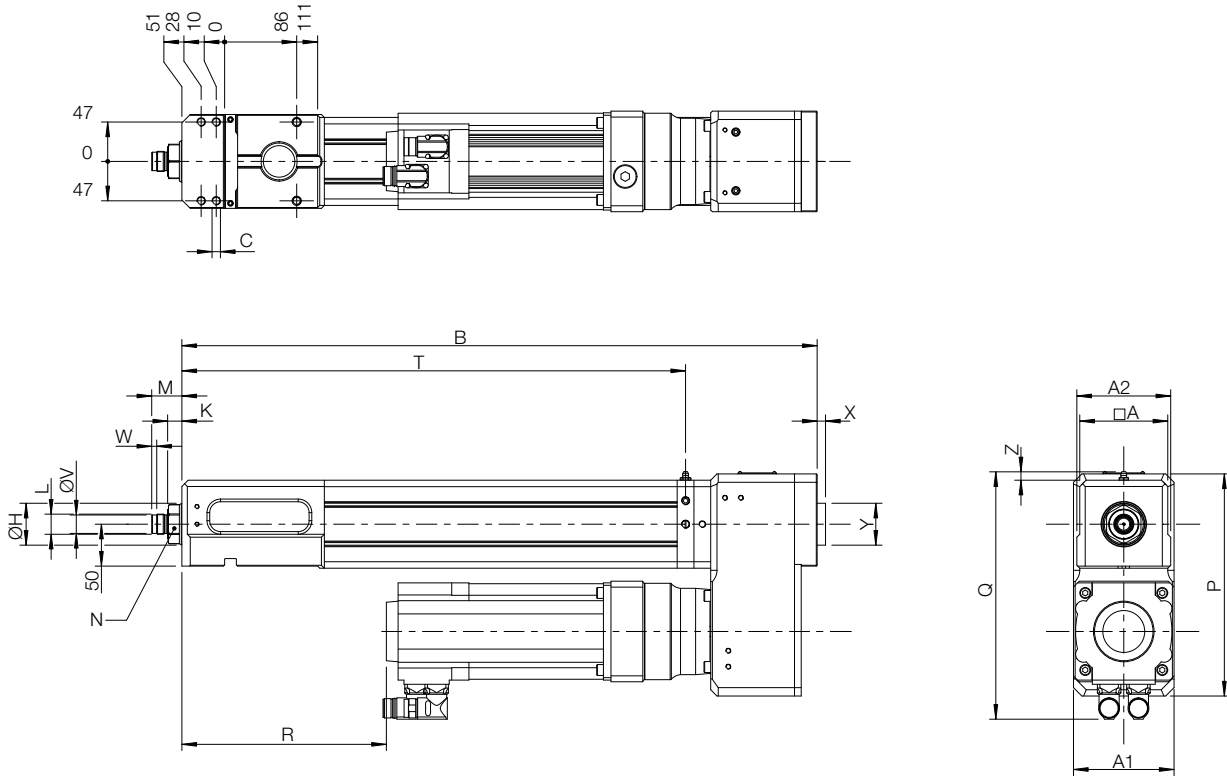
# TOX®-ElectricDrive Type EPMR

Data sheet 40.80  
2020/09



# TOX<sup>®</sup>-Electric Power Module

Type EPMR 55 kN/80 kN/100 kN, version 510 for clinching applications



## Dimensions and weights

Type	Stroke mm	Max. nominal force kN	Weight approx. kg
EPMR 055.510.150.001	150	55	45
EPMR 080.510.150.001	150	80	64
EPMR 100.510.150.001	150	100	82

Type	A	A1	A2	B	C	ØH	K <sup>1)</sup>	L	M <sup>1)</sup>	N <sup>1)</sup>	P	Q	R	T	V <sub>06</sub>	W	X	Y	Z
EPMR 055.510.150.001	90	120	112	679	6xM10	40	17	M24x1.5	36	36	225	272	197	548	22	6	0	0	10
EPMR 080.510.150.001	105	120	112	758	6xM10	50	17	M24x1.5	36	41	265	295	244	601	22	6	0	0	10
EPMR 100.510.150.001	130	130	112	812	6xM10	50	17	M24x1.5	36	41	295	336	289	638	22	6	13	75	10

<sup>1)</sup> Dimension refers to zero position of drive. Reference position = zero position -3 mm.

Dimensions in mm

Specifications EPMR	055.510	080.510	100.510
<b>Mechanical</b>			
Nominal pressing force <sup>3)</sup>	55 kN	80 kN	100 kN
Nominal pulling force <sup>3)</sup>	16 kN	16 kN	16 kN
Stroke <sup>1)</sup>	150/200 mm	150/200 mm	150/200 mm
Max. speed <sup>1)</sup>	200 mm/s	140 mm/s	140 mm/s
Repeatability <sup>2)</sup>		< ± 0.01 mm	
<b>Sensors</b>			
Resolver	■	■	■
Resolution (theoretically)	0.0015 mm	0.0011 mm	0.0011 mm
<b>Electrical</b>			
Protection class	Drive IP54 (as component)		
Mains supply	see data sheet 40.18 System & Components		
Klima	+ 10° to + 40° C, from 40 °C performance loss, max. 55° C; air moisture < 75 %, without condensation		

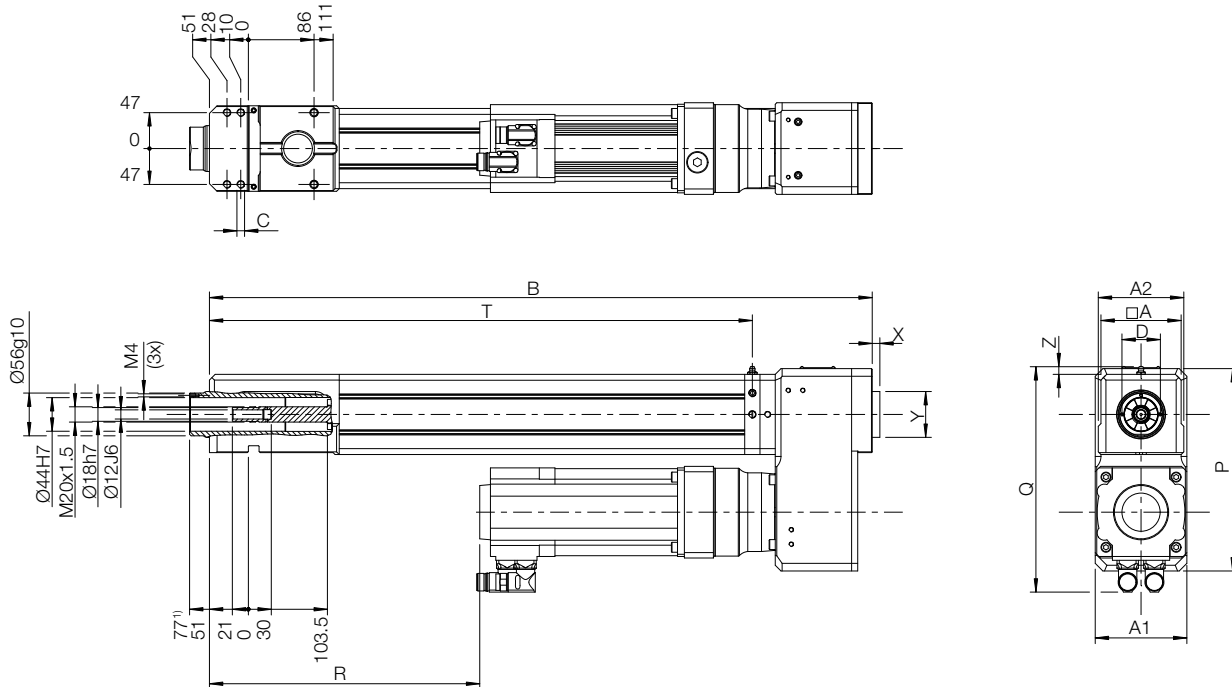
<sup>1)</sup> Specials on request (colour, stroke, speed, ...)

<sup>2)</sup> In thermal transient condition

<sup>3)</sup> Recommended operating range 5 – 80 %

# TOX<sup>®</sup>-Electric Power Module

Type EPMR 55 kN/80 kN/100 kN, version 710 for riveting applications



<sup>1)</sup> Dimension refers to zero position of drive. Reference position = zero position - 3 mm.

## Dimensions and weights

Type	Stroke mm	Max. nominal force kN	Weight approx. kg
EPMR 055.710.240.001	240	55	46
EPMR 080.710.240.001	240	80	66
EPMR 100.710.240.001	240	100	85

Type	A	A1	A2	B	C	D	P	Q	R	T	X	Y	Z
EPMR 055.710.240.001	90	120	112	799	6xM10	50	225	272	316	668	0	0	10
EPMR 080.710.240.001	105	120	112	868	6xM10	50	265	295	354	711	0	0	10
EPMR 100.710.240.001	130	130	112	902	6xM10	50	295	336	379	729	13	75	10

Dimensions in mm

Specifications EPMR	055.710	080.710	100.710
<b>Mechanical</b>			
Nominal pressing force <sup>3)</sup>	55 kN	80 kN	100 kN
Nominal pulling force <sup>3)</sup>	5 kN	5 kN	5 kN
Stroke <sup>1)</sup>	240/300 mm	240/300 mm	240/300 mm
Maximum stroke external <sup>1)</sup>	170/230 mm	170/230 mm	170/230 mm
Max. speed <sup>1)</sup>	250 mm/s	200 mm/s	200 mm/s
Repeatability <sup>2)</sup>		< ± 0,01 mm	
<b>Sensors</b>			
Resolver	■	■	■
Resolution (theoretically)	0.0019 mm	0.0015 mm	0.0015 mm
<b>Electrical</b>			
Protection class	Drive IP54 (as component)		
Mains supply	see data sheet 40.18 System & Components		
Climatic conditions	+ 10° to + 40° C, from 40° C performance loss, max. 55° C; air moisture < 75 %, without condensation		

<sup>1)</sup> Specials on request (colour, stroke, speed, ...)

<sup>2)</sup> In thermal transient condition

<sup>3)</sup> Recommended operating range 5 – 80 %